

Vic-Ball Valve

SERIES 726

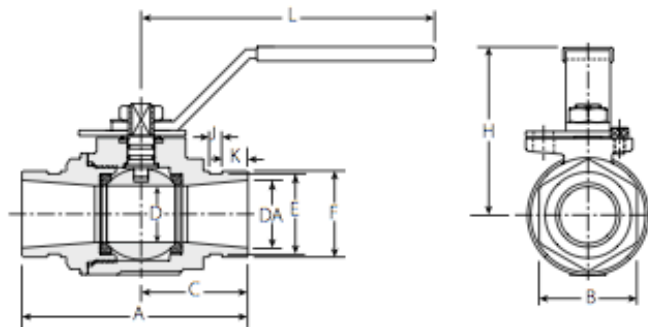
For Complete Information
Request Publication **08.23**



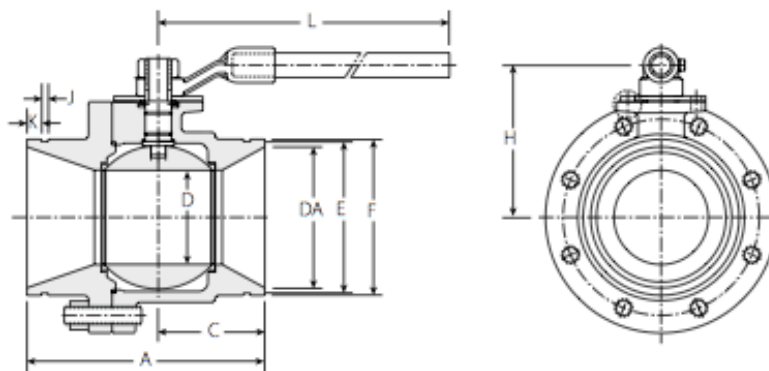
Size		Dimensions											Approx. Wgt Each	Flow Coefficient Θ (Fully Open)
Nominal Size Inches mm	Actual Out. Dia. Inches mm	A Inches mm	B Inches mm	C Inches mm	D Inches mm	DA Inches mm	E Inches mm	F Inches mm	H Inches mm	J Inches mm	K Inches mm	L Inches mm	Lbs. kg	C _v Values K _v Values
1 1/2 40	1.900 48.3	5.12 130	2.00 51	2.36 60	1.25 32	1.50 38	1.78 45	1.90 48	3.00 76	0.28 7	0.56 14	6.97 177	4.4 2.0	130 112.5
2 50	2.375 60.3	5.50 140	2.64 67	2.48 63	1.50 38	2.00 51	2.25 57	2.38 60	3.31 84	0.34 9	0.56 14	6.97 177	6.5 3.0	180 155.7
2 1/2 65	2.875 73.0	6.25 159	3.03 77	2.80 71	1.97 50	2.50 64	2.72 69	2.88 73	4.00 102	0.34 9	0.56 14	9.84 250	10.4 4.7	340 294.1
3 80	3.500 88.9	6.56 167	3.50 89	3.15 80	2.50 64	3.00 76	3.34 85	3.50 89	4.53 115	0.34 9	0.56 14	9.84 250	14.9 6.8	600 519.0
4 100	4.500 114.3	8.25 210	—	3.35 85	2.99 76	4.00 102	4.33 111	4.52 115	5.48 139	0.34 9	0.61 15	15.67 398	41.5 18.9	650 562.3
6 150	6.625 168.3	10.10 257	—	4.53 115	4.00 102	6.00 152	6.46 164	6.64 169	6.48 165	0.34 9	0.61 15	18.07 459	78.5 35.7	800 692.0

@ C_v/K_v values for flow of water at +60°F/16°C with valve fully open.

- High-pressure standard port ball valve with grooved ends
- Two-piece, end-entry valve
- Features floating ball for lower torque requirements
- NACE-MR-01-75 compliant
- Pressure rated up to 1000psi/6900kPa in sizes 1 1/2–3 1/4–80mm
- Pressure rated up to 800psi/5515kPa for sizes 4–6 1/100–150mm
- Sizes from 1 1/2–6 1/40–150mm



TYPICAL 1 1/2–3 1/40–80mm SIZES



TYPICAL 4–6 1/100–150mm SIZES